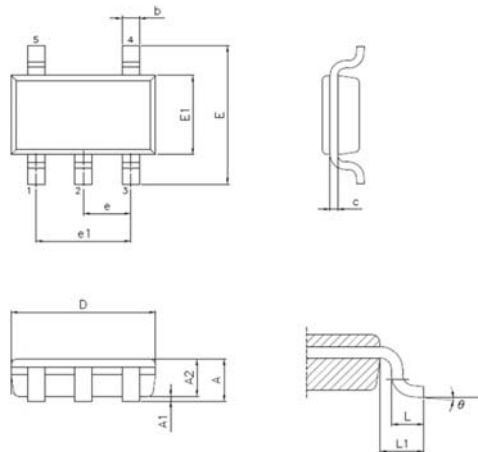


5-pin TSOT23-5 Outline Dimensions


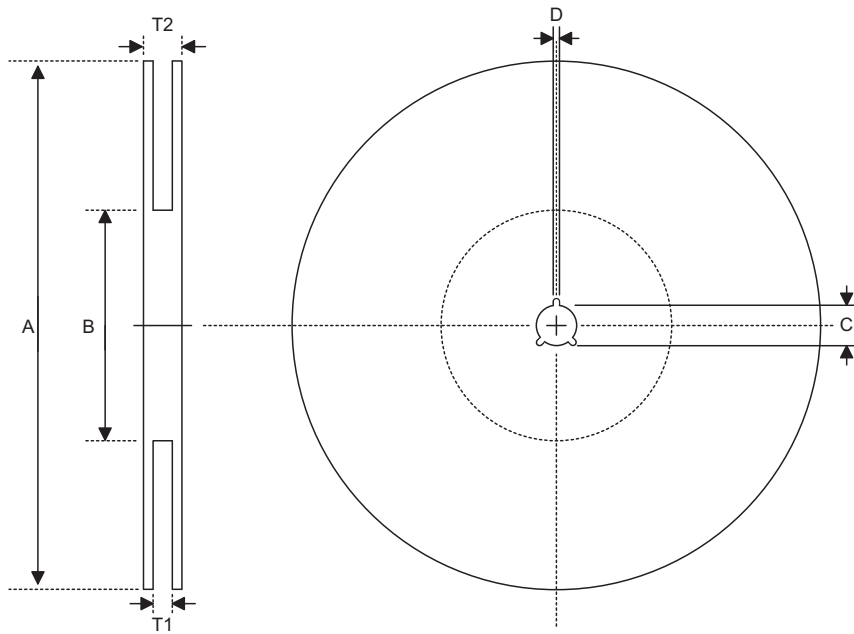
• MO-193C

| Symbol | Dimensions in inch | | |
|----------|--------------------|-------|-------|
| | Min. | Nom. | Max. |
| A | — | — | 0.043 |
| A1 | 0.000 | — | 0.004 |
| A2 | 0.028 | — | 0.039 |
| b | 0.012 | — | 0.020 |
| C | 0.003 | — | 0.008 |
| D | — | 0.114 | — |
| E | — | 0.110 | — |
| E1 | — | 0.063 | — |
| e | — | 0.037 | — |
| e1 | — | 0.075 | — |
| L | 0.012 | — | 0.024 |
| L1 | — | 0.024 | — |
| θ | 0° | — | 8° |

| Symbol | Dimensions in mm | | |
|----------|------------------|------|------|
| | Min. | Nom. | Max. |
| A | — | — | 1.10 |
| A1 | 0.00 | — | 0.10 |
| A2 | 0.70 | — | 1.00 |
| b | 0.30 | — | 0.50 |
| C | 0.08 | — | 0.20 |
| D | — | 2.90 | — |
| E | — | 2.80 | — |
| E1 | — | 1.60 | — |
| e | — | 0.95 | — |
| e1 | — | 1.90 | — |
| L | 0.30 | — | 0.60 |
| L1 | — | 0.60 | — |
| θ | 0° | — | 8° |

Product Tape and Reel Specifications

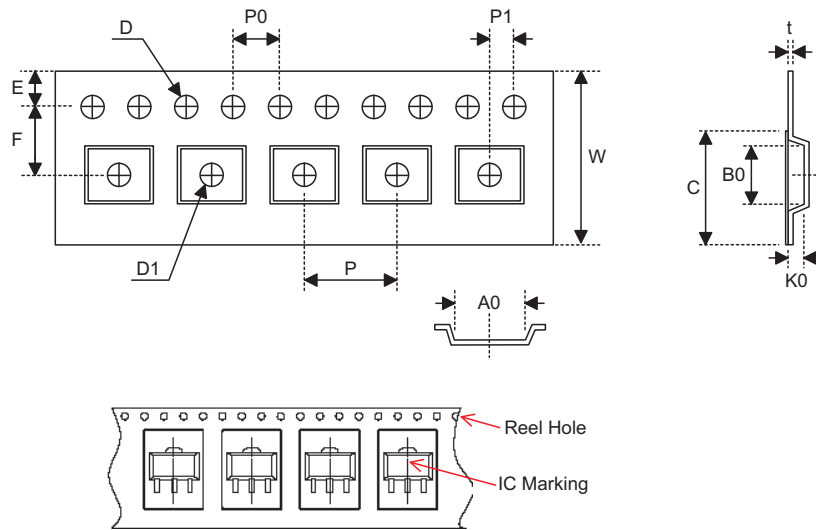
Reel Dimensions



TSOT23-5

| Symbol | Description | Dimensions in mm |
|--------|-----------------------|---------------------------|
| A | Reel Outer Diameter | 178.0±1.0 |
| B | Reel Inner Diameter | 60.0±1.0 |
| C | Spindle Hole Diameter | 13.0 ^{+0.5/-0.2} |
| D | Key Slit Width | 2.4±0.1 |
| T1 | Space Between Flange | 9.0±0.5 |
| T2 | Reel Thickness | 11.8±0.5 |

Carrier Tape Dimensions



TSOT23-5

| Symbol | Description | Dimensions in mm |
|--------|--|--------------------------|
| W | Carrier Tape Width | 8.0±0.2 |
| P | Cavity Pitch | 4.0±0.1 |
| E | Perforation Position | 1.75±0.10 |
| F | Cavity to Perforation (Width Direction) | 3.50±0.05 |
| D | Perforation Diameter | 1.5 ^{+0.1/-0.0} |
| D1 | Cavity Hole Diameter | 1.1 ^{+0.1/-0.0} |
| P0 | Perforation Pitch | 4.0±0.1 |
| P1 | Cavity to Perforation (Length Direction) | 2.00±0.05 |
| A0 | Cavity Length | 3.2±0.1 |
| B0 | Cavity Width | 3.2±0.1 |
| K0 | Cavity Depth | 1.1±0.1 |
| t | Carrier Tape Thickness | 0.25±0.05 |
| C | Cover Tape Width | 5.3±0.1 |