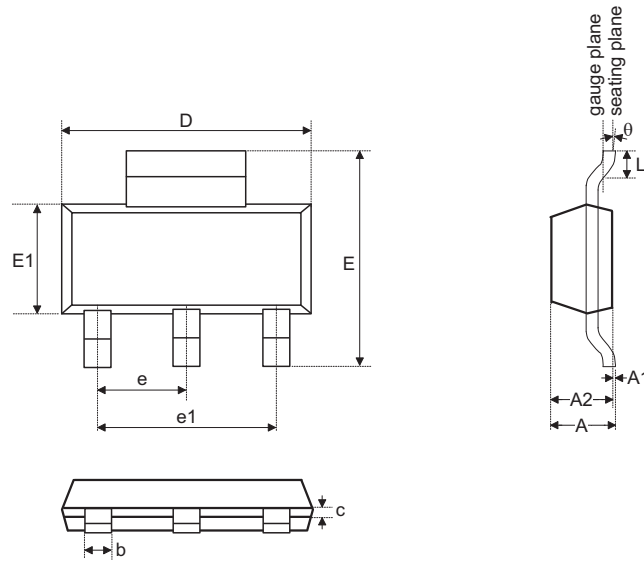


SOT223 Outline Dimensions

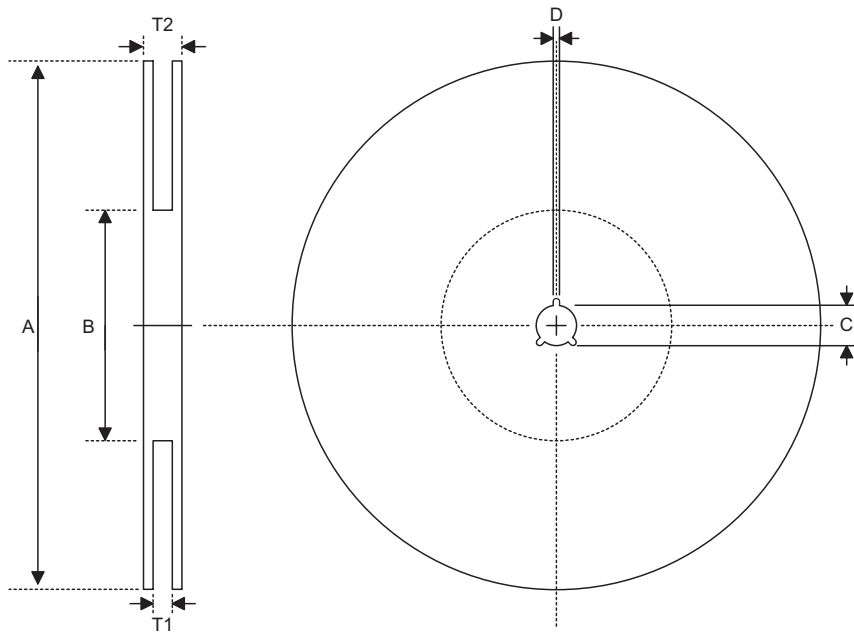
3-pin SOT223 Outline Dimensions



Symbol	Dimensions in mm		
	Min.	Nom.	Max.
A	—	—	1.8
A1	0.02	—	0.1
A2	1.5	—	1.7
b	0.66	—	0.84
C	0.23	—	0.35
D	6.3	—	6.7
E	6.7	—	7.3
E1	3.3	—	3.7
e	—	2.3	—
e1	—	4.6	—
L	0.75	—	—
θ	0°	—	10°

Product Tape and Reel Specifications

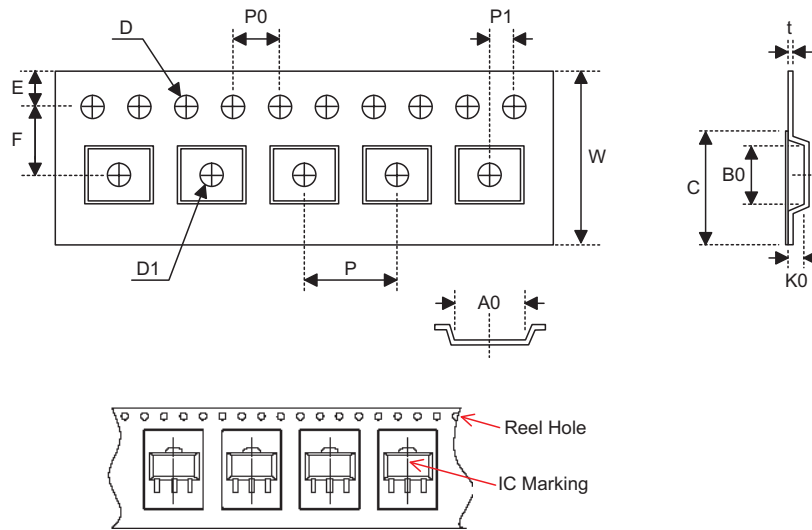
Reel Dimensions



SOT223

Symbol	Description	Dimensions in mm
A	Reel Outer Diameter	330±1
B	Reel Inner Diameter	62±1.5
C	Spindle Hole Diameter	12.75±0.15
D	Key Slit Width	2+0.6
T1	Space Between Flange	12.4+0.2
T2	Reel Thickness	16.4-0.4

Carrier Tape Dimensions



SOT223

Symbol	Description	Dimensions in mm
W	Carrier Tape Width	12±0.3
P	Cavity Pitch	8±0.1
E	Perforation Position	1.75±0.1
F	Cavity to Perforation (Width Direction)	5.5±0.05
D	Perforation Diameter	1.5+0.1
D1	Cavity Hole Diameter	1.5+0.1
P0	Perforation Pitch	4±0.1
P1	Cavity to Perforation (Length Direction)	2±0.05
A0	Cavity Length	6.9±0.1
B0	Cavity Width	7.5±0.1
K0	Cavity Depth	2.1±0.1
t	Carrier Tape Thickness	0.3±0.05
C	Cover Tape Width	9.3