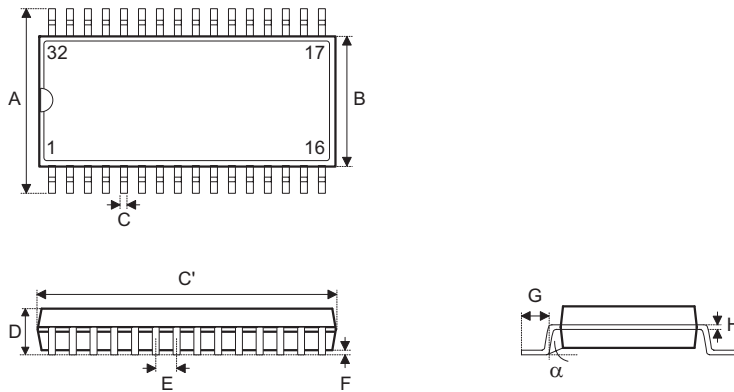


SOP Outline Dimensions

32-pin SOP (450mil) Outline Dimensions

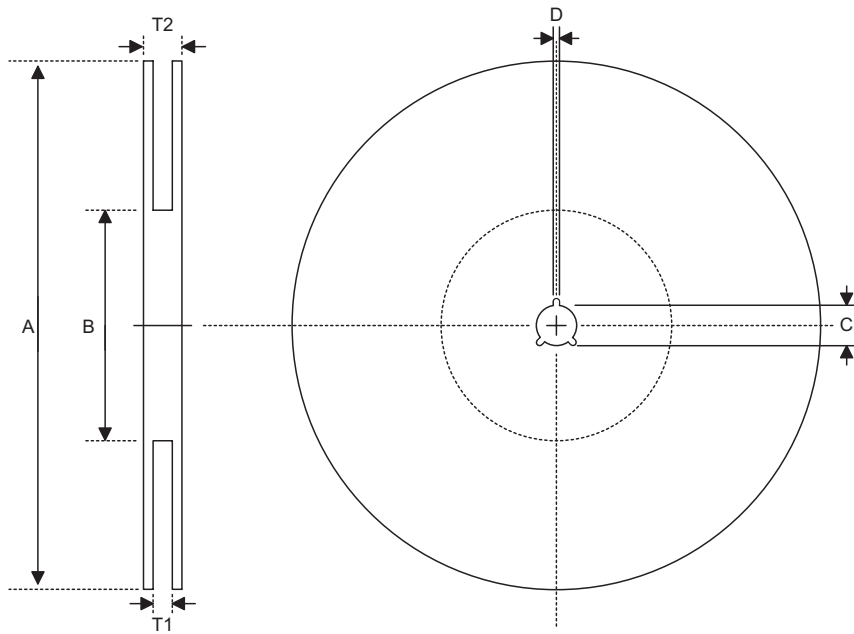


• MS-099

Symbol	Dimensions in mil		
	Min.	Nom.	Max.
A	530	—	580
B	437	—	445
C	14	—	20
C'	799	—	815
D	100	—	120
E	—	50	—
F	4	—	14
G	16	—	50
H	6	—	12.6
α	0°	—	8°

Product Tape and Reel Specifications

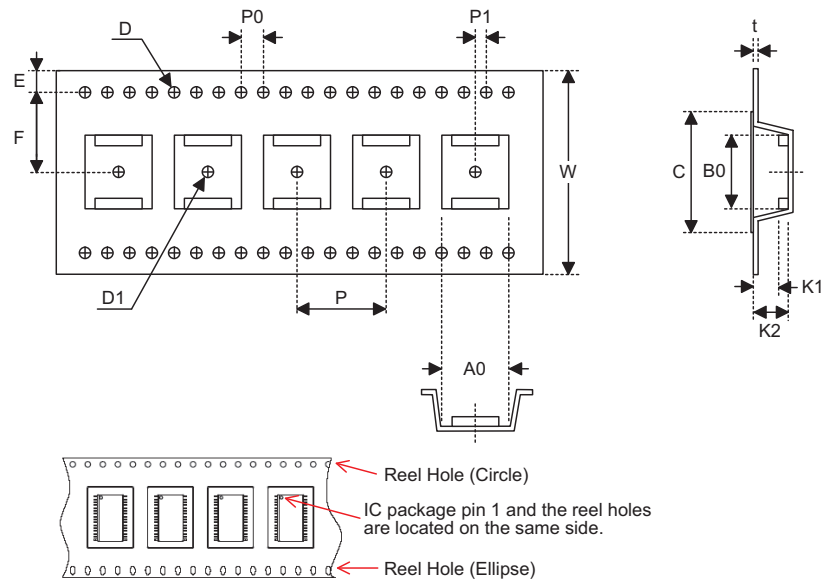
Reel Dimensions



SOP 32W

Symbol	Description	Dimensions in mm
A	Reel Outer Diameter	330.0±1.0
B	Reel Inner Diameter	100.0±0.1
C	Spindle Hole Diameter	13.0 ^{+0.5/-0.2}
D	Key Slit Width	2.0±0.5
T1	Space Between Flange	32.8 ^{+0.3/-0.2}
T2	Reel Thickness	38.2±0.2

Carrier Tape Dimensions



SOP 32W

Symbol	Description	Dimensions in mm
W	Carrier Tape Width	32.0 ^{+0.3/-0.1}
P	Cavity Pitch	16.0±0.1
E	Perforation Position	1.75±0.10
F	Cavity to Perforation (Width Direction)	14.2±0.1
D	Perforation Diameter	1.55 ^{+0.10/-0.00}
D1	Cavity Hole Diameter	2.00 ^{+0.25/-0.00}
P0	Perforation Pitch	4.0±0.1
P1	Cavity to Perforation (Length Direction)	2.0±0.1
A0	Cavity Length	14.7±0.1
B0	Cavity Width	20.9±0.1
K1	Cavity Depth	3.0±0.1
K2	Cavity Depth	3.4±0.1
t	Carrier Tape Thickness	0.35±0.05
C	Cover Tape Width	25.5±0.1