

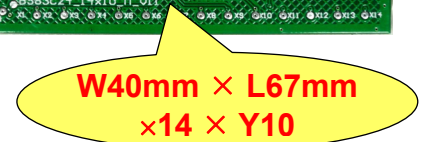
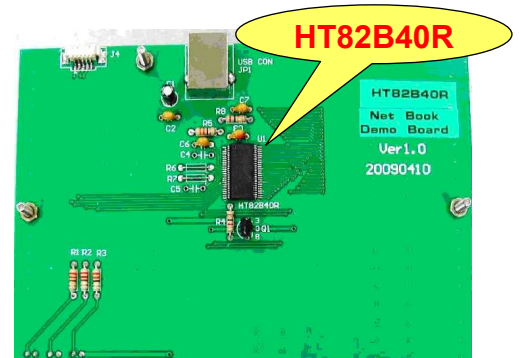
# Netbook Keyboard Controller System

## HT82B40R + BS83C24-3



### Characteristics

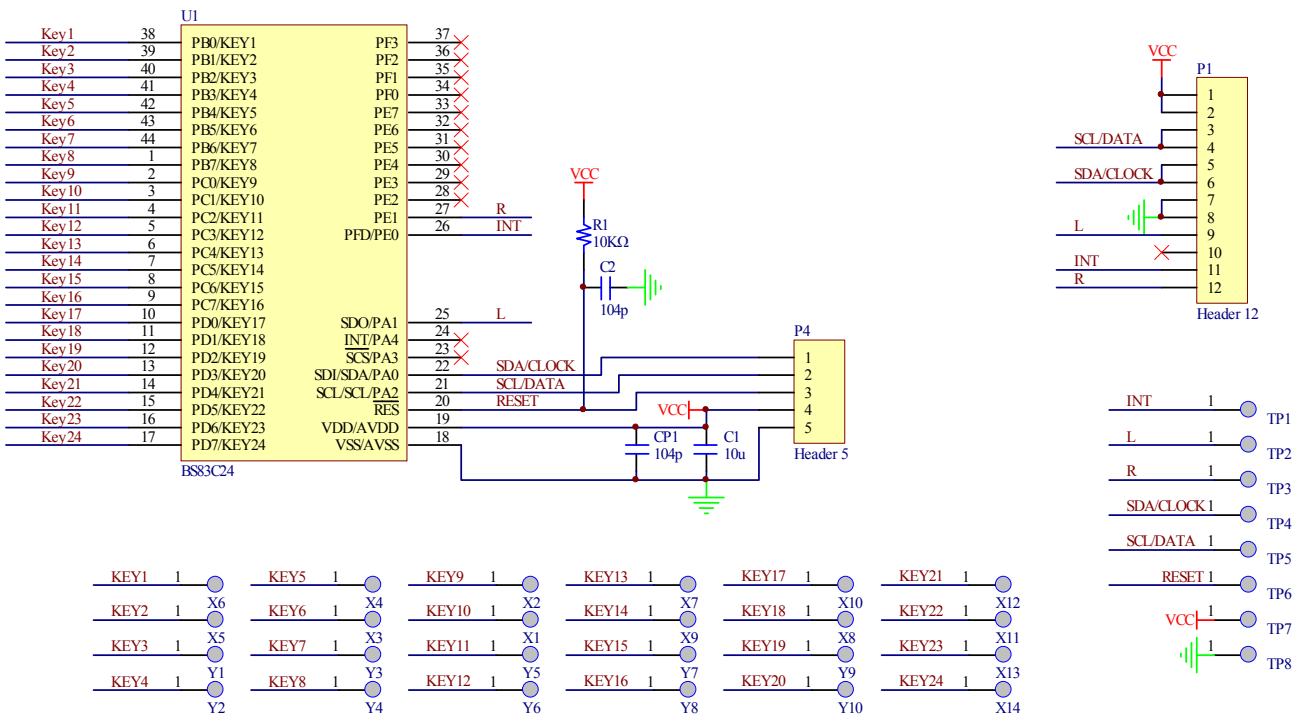
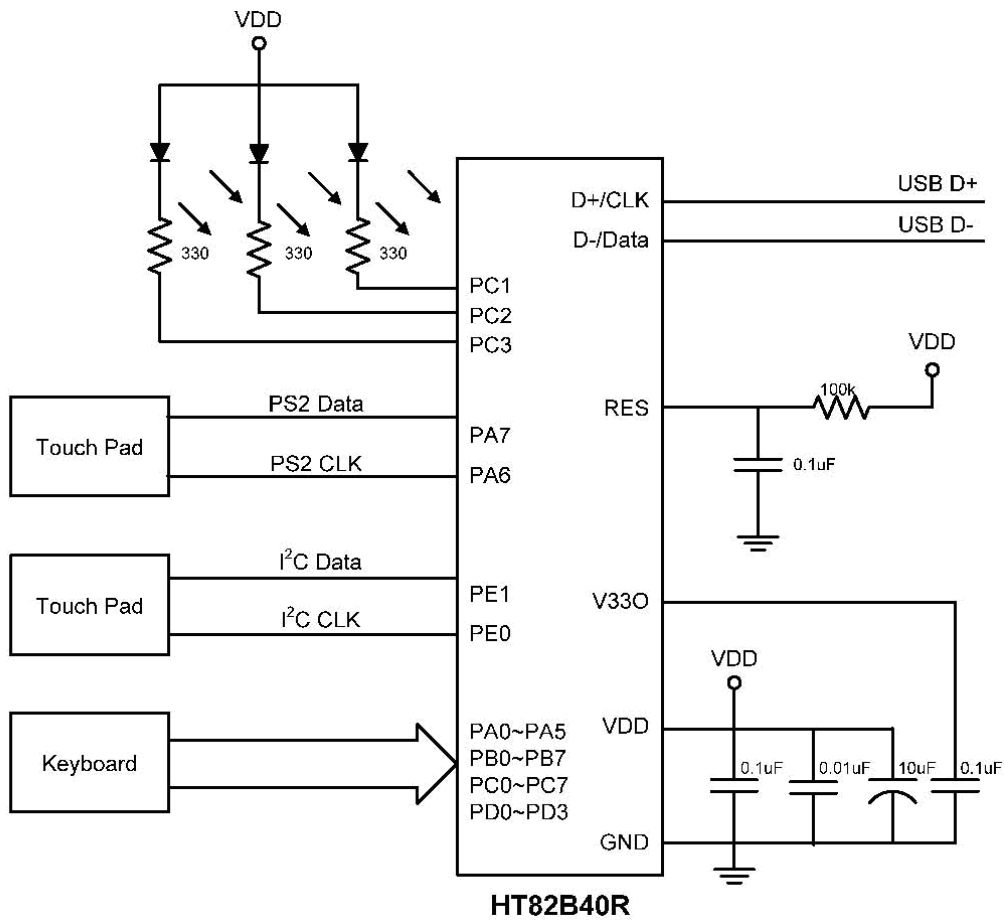
- Uses Non X86 CPU Platform System Netbook Products
- HT82B40R has Fully Integrated 12MHz Oscillator
- Integrated 1.5k Resistor Connected between V330 and D-
- Utilises USB Interface Communication with the Host Controller
- Reduced External Components for System Solutions
- Low Cost System Solutions
- Touch Pad 10 × 14 Supports PS/2, SPI Interface
- Touch Pad Under 1.0 mm of Plastic



### Application Areas

Notebooks, E-Books, Table PCs , etc.

# Application Circuit



**BS83C24\_Touch Pad**