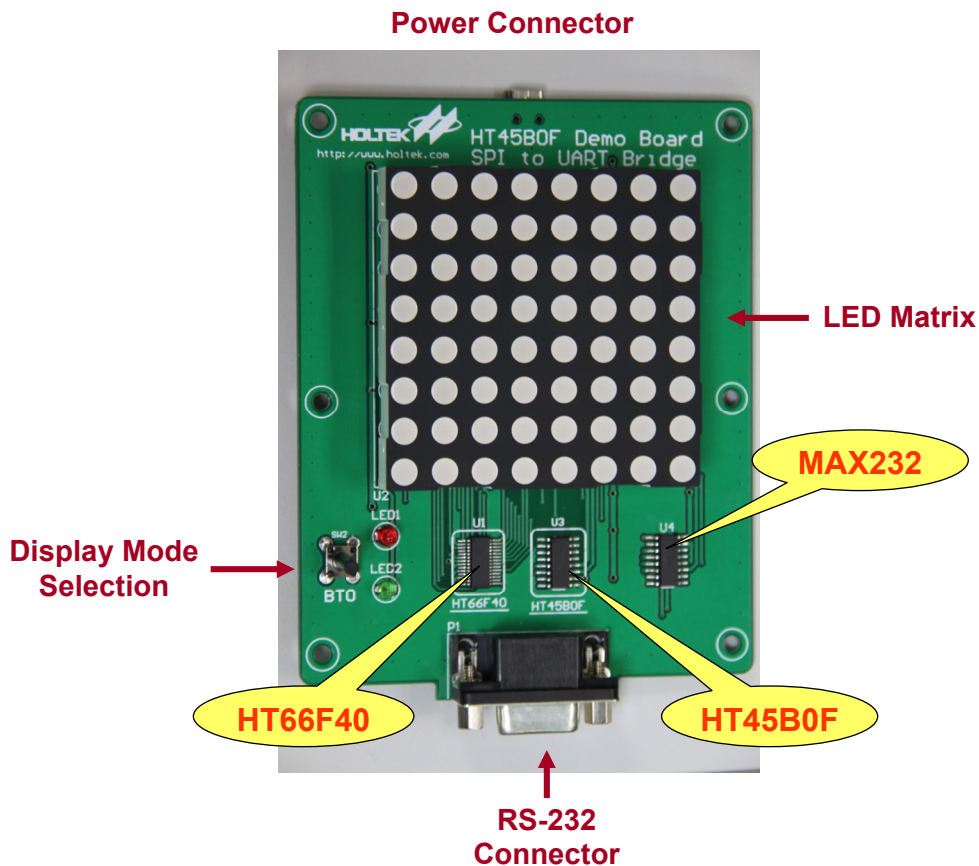


Data Transfer SPI to UART Bridge

HT45B0F + HT66F40

Characteristics

- The HT45B0F is an SPI to UART Bridge IC.
- The HT66F40 Communicates Via its SPI Interface to Implement RS-232 Protocol and Drive the LED Matrix.
- A MAX232 Level Shifter IC is Used as the RS-232 Bus Signal Converter.
- Display Mode Selection : 1. Auto Display 2. AP Control.



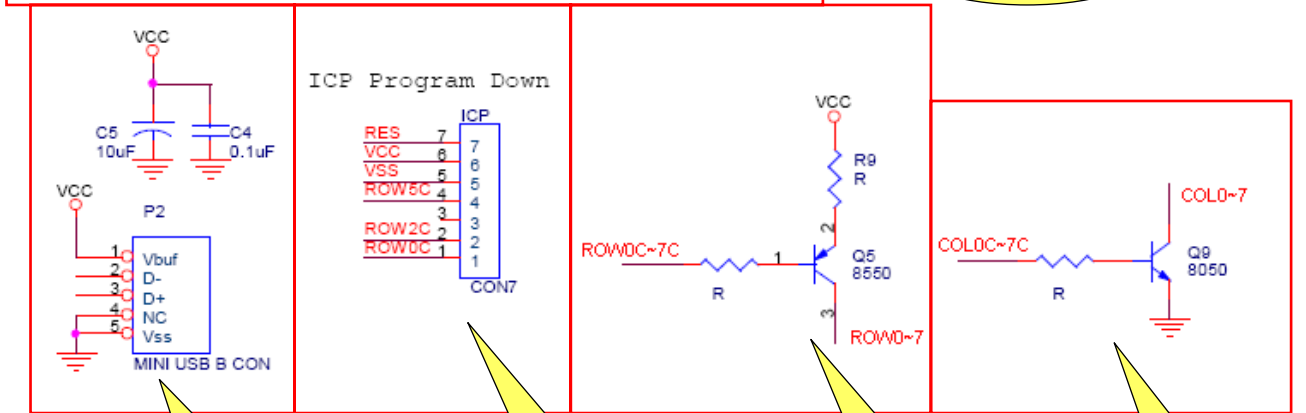
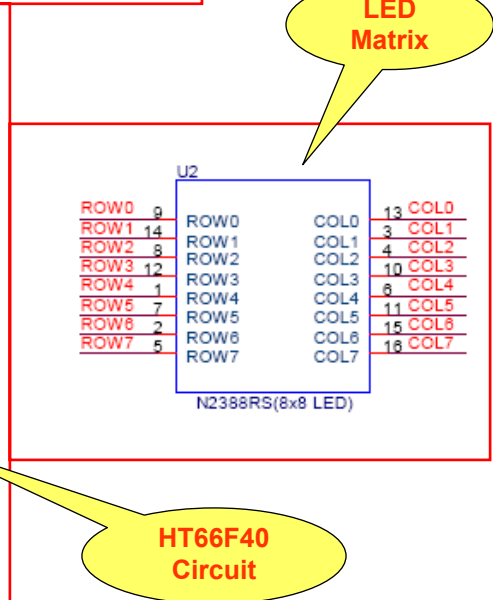
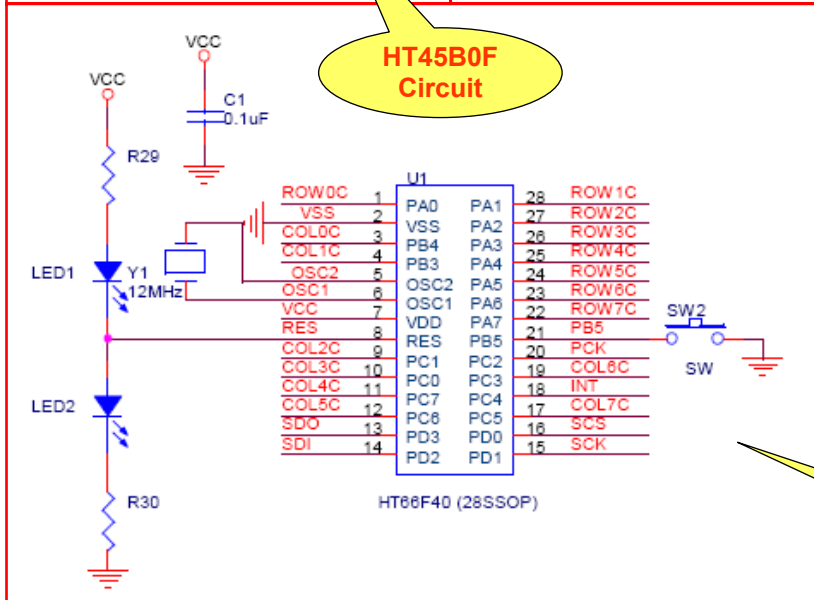
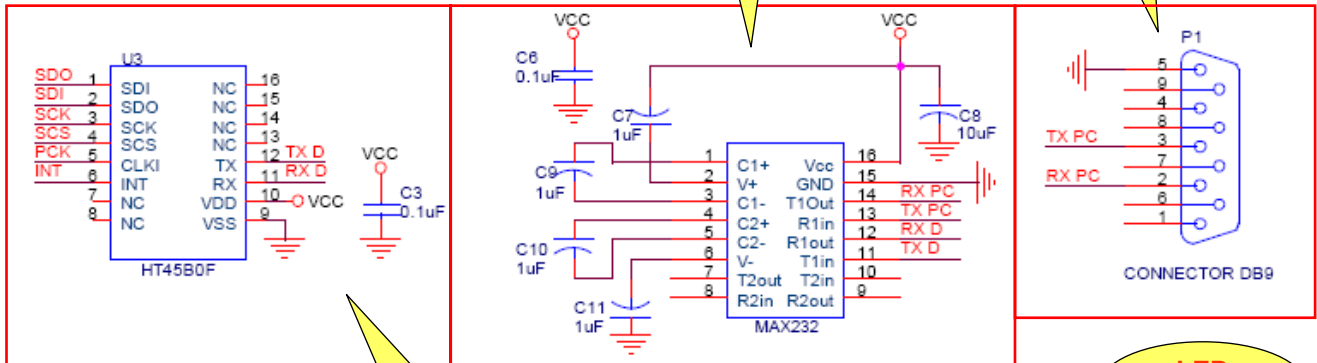
Application Areas



Consumer Products
e.g. Home Security, Industrial Control, Portable Devices etc.

Application Circuit

HT45B0F - SPI TO UART BRIDGE



Power Connector

ICP Interface

Transistor ROW0-7

Transistor COL0-7