

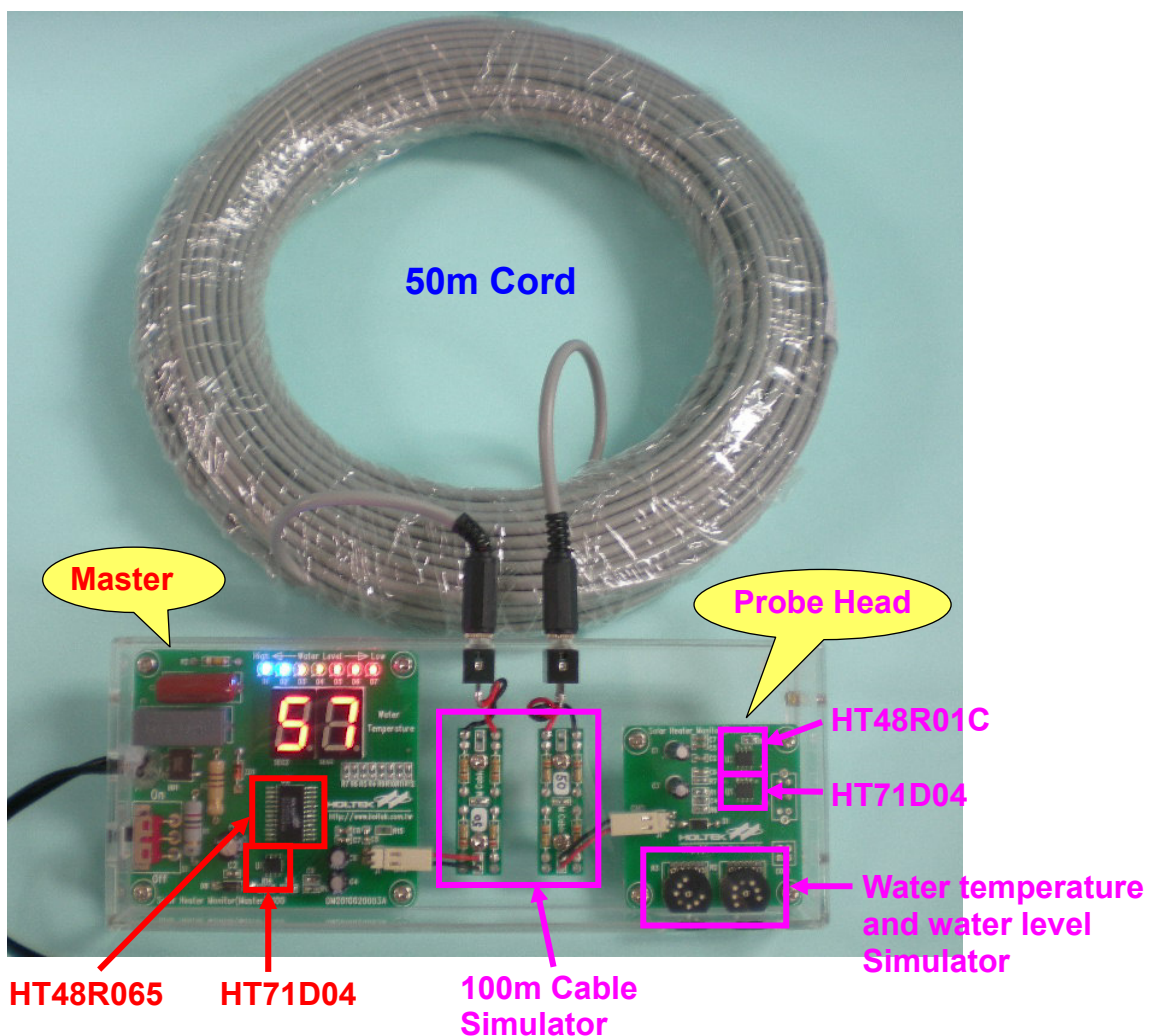
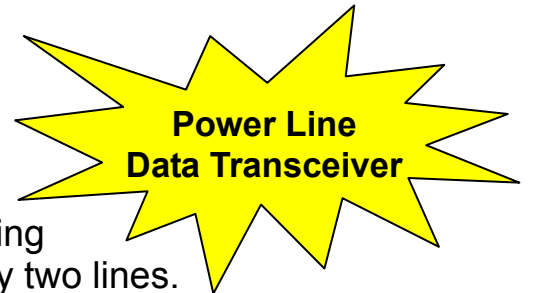
Solar Heater Monitor

Master : **HT48R065 + HT71D04**

Probe Head : **HT48R01C + HT71D04**

Characteristics

- Allows interconnection using telephone cable.
Data is modulated onto the power lines, enabling reductions in the interconnecting cables to only two lines.
- Telephone line testing -- transmission distance up to 500m
- Simulation of water temperature : 0 ~ 99°C
- Simulation of water levels (7 levels) : uses LEDs to indicate water level, full (blue) to empty (red)
- Empty : All LEDs flash



HT48R065 HT71D04

100m Cable Simulator

Water temperature and water level Simulator

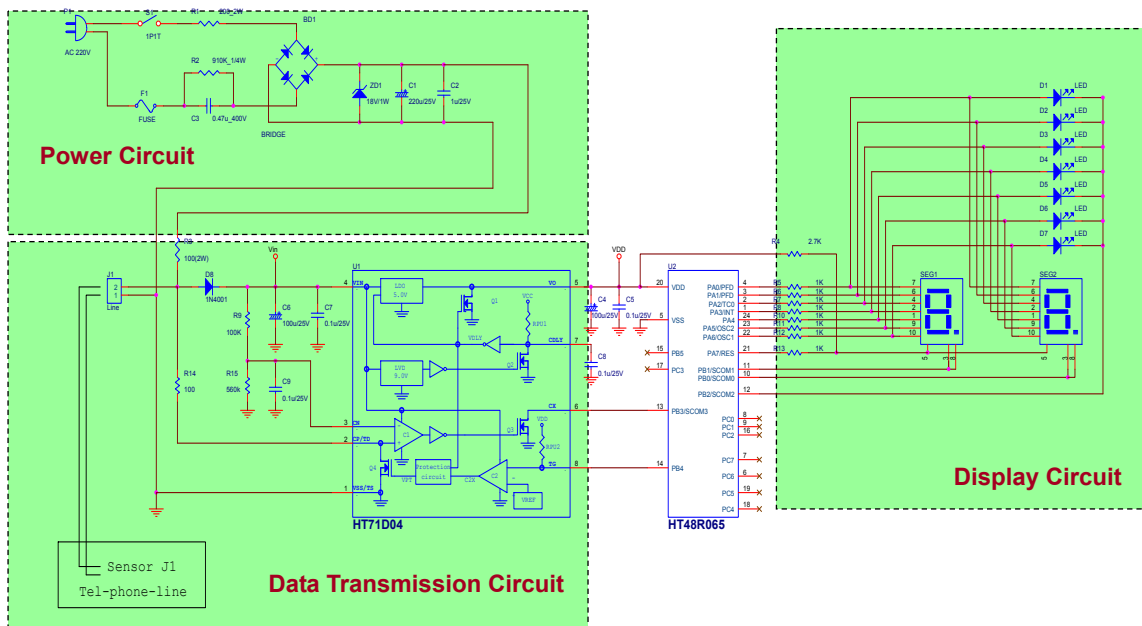
Application Areas



Various Interconnected System Applications

Application Circuit

Master



Probe Head

