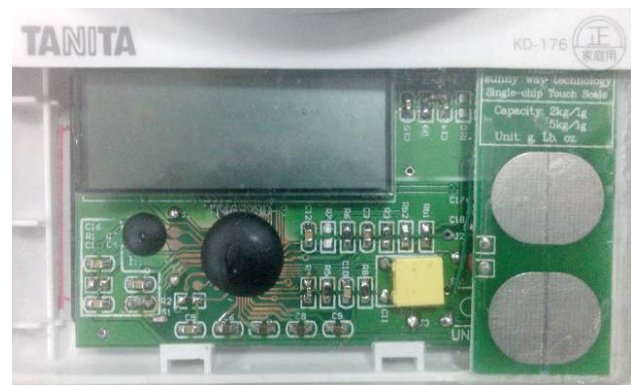
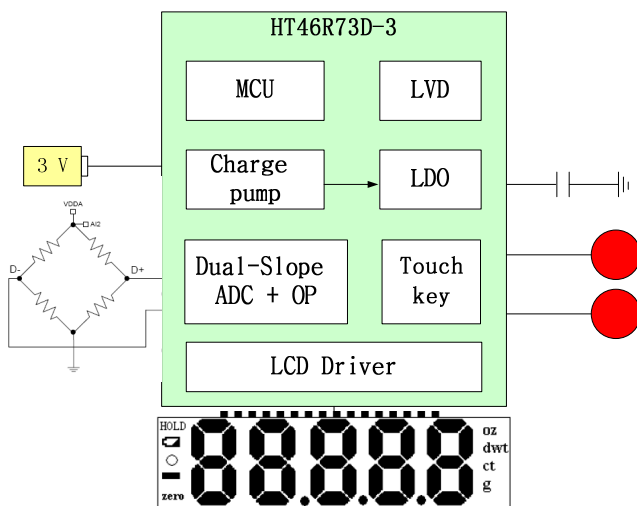


Touch Control Kitchen Scales

HT46R73D-3

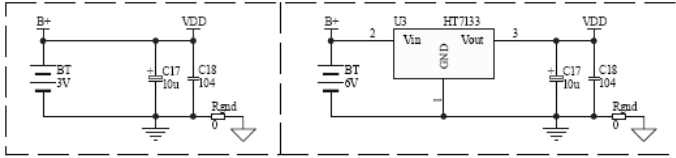
Characteristics

- 1/5000 display resolution -- user defined
- Two touch key function : ON / OFF / TARE, MODE
- Full-scale one point calibration -- user defined
- Weight units : g, Oz -- maximum of 4 different units
- Auto turn off : one minute auto turn off function
- Low voltage detector : 2.5V
- Operating voltage : 3V, internal LDO
- Low power consumption :
operating current < 5mA, standby current < 10 μ A
- On board EEPROM programming -- user definable



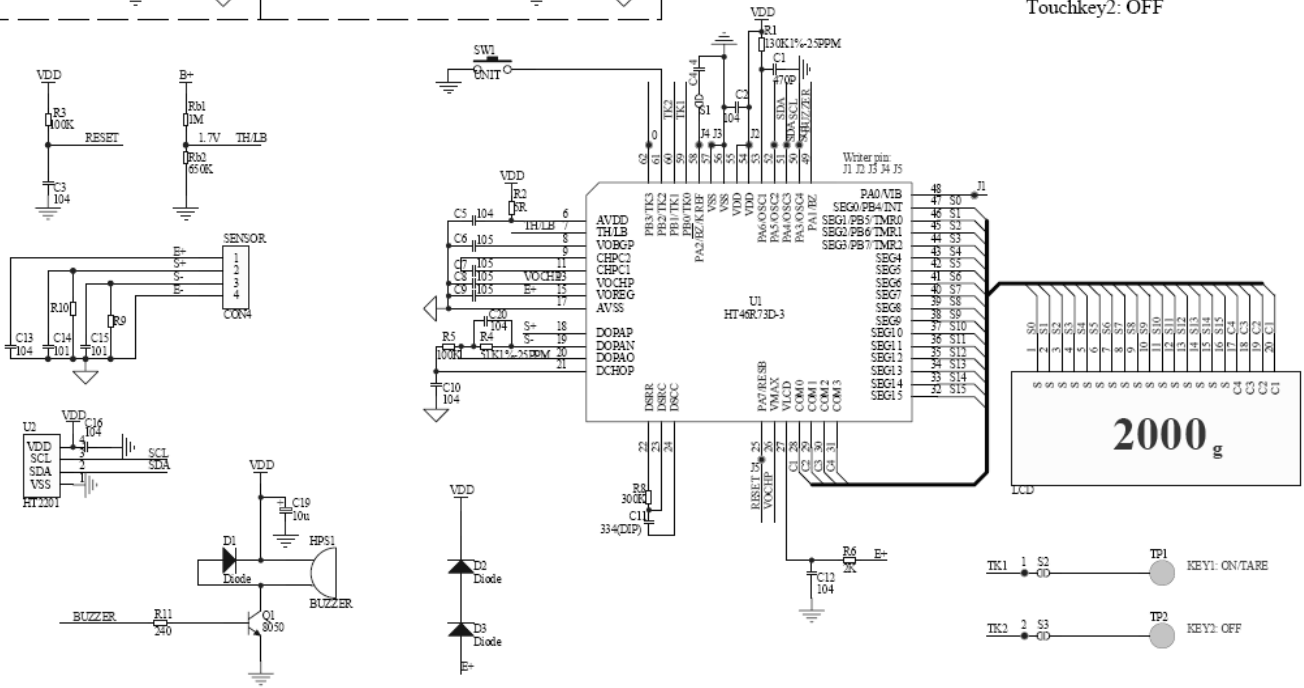
Application Circuit

power supply: 3V or 6V



HOLTEK
sunny way technology
Single-chip Touch Scale

Capacity: 2kg/1g, 5kg/1g
Unit: g, Lb, oz.
Touchkey1: ON/TARE
Touchkey2: OFF



2000 g

