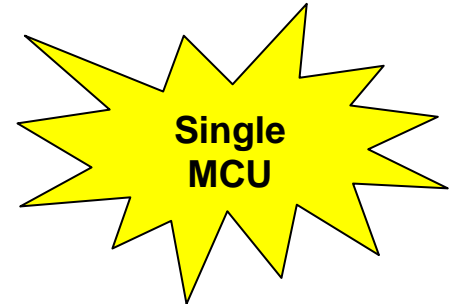


Infrared Learning Type Remote Controller

HT45R22E

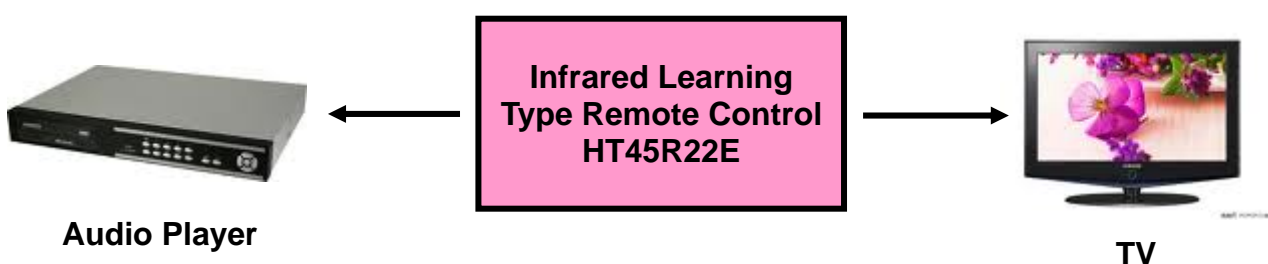


Characteristics

- Learning type : Hopping code and Rolling code.
Demo board can learn codes from Sony and RC5 algorithms
- Up to 96 input keys. Transmit formats are compiled using firmware
- Uses Internal RC oscillator - reduced external components
 - ◆ 20 pin package supports up to 64 keys and 2 LEDs
 - ◆ 24 pin package supports up to 96 keys and 2 LEDs
- Uses external crystal to ensure high accuracy
 - ◆ 20 pin package supports up to 48 keys and 2 LEDs
 - ◆ 24 pin package supports up to 96 keys and 2 LEDs
- Integrated operational amplifier - reduced external components (two transistors, four resistors and two diodes)
- Integrated 8K bit EEPROM

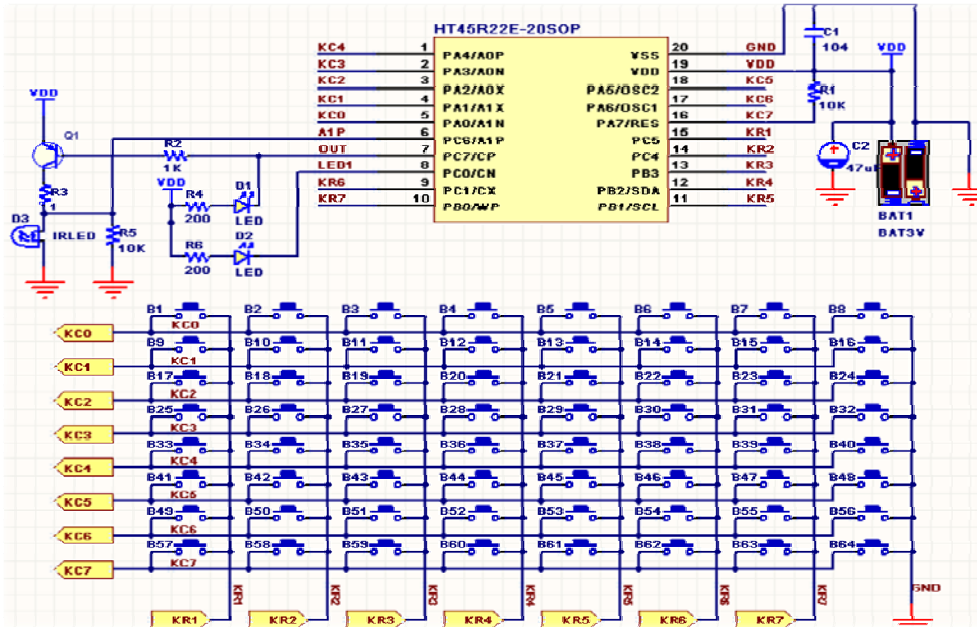


Application Areas



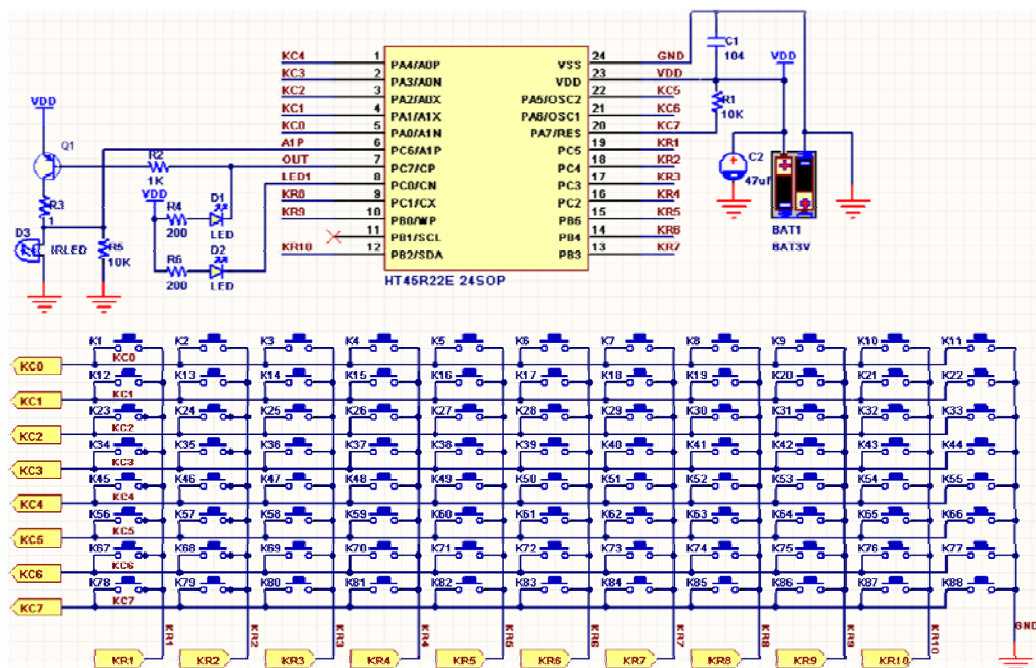
Application Circuit

HT45R22E 20SOP Application Circuit



HT45R22E 20-pin package supports up to 64 keys and 2 LED.

HT45R22E 24SOP Application Circuit



HT45R22E 24-pin package supports up to 96 keys and 2 LED.
(Normal remote controller supports about 56 ~ 72 keys.)