

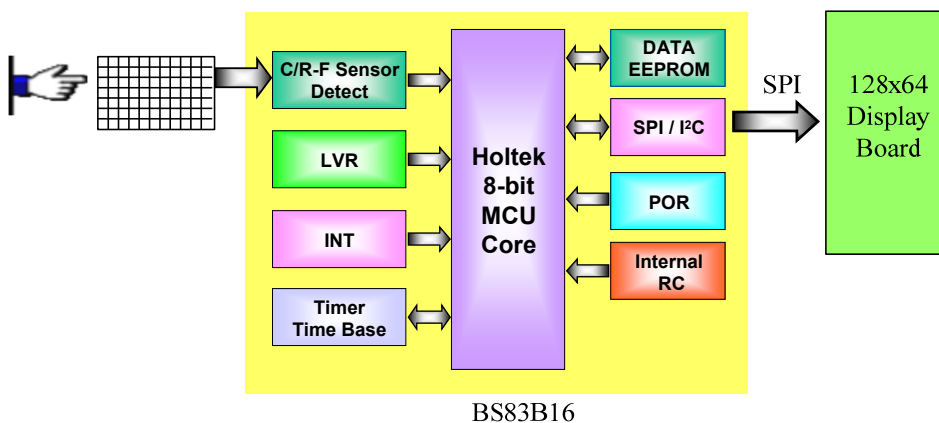
Touch PAD for Remote

BS83B16 + HT46RB70



Characteristics

- Touch MCU : BS83B16 24SSOP (8-bit Flash type MCU)
- Integrated EEPROM
- Few peripheral components needed and high stability
- High sensitivity and S/N ratio



Operating Procedure

- After power-on, the system is ready for operation using the same method as the general Touch Pads
- Supports the double click function

Application Circuit

